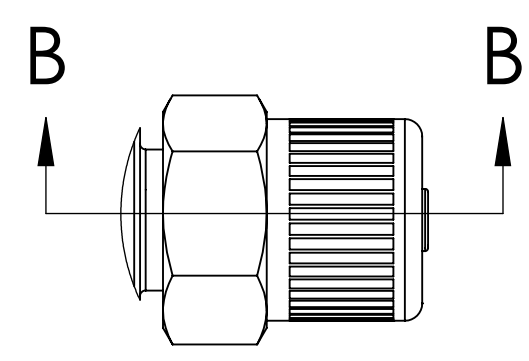
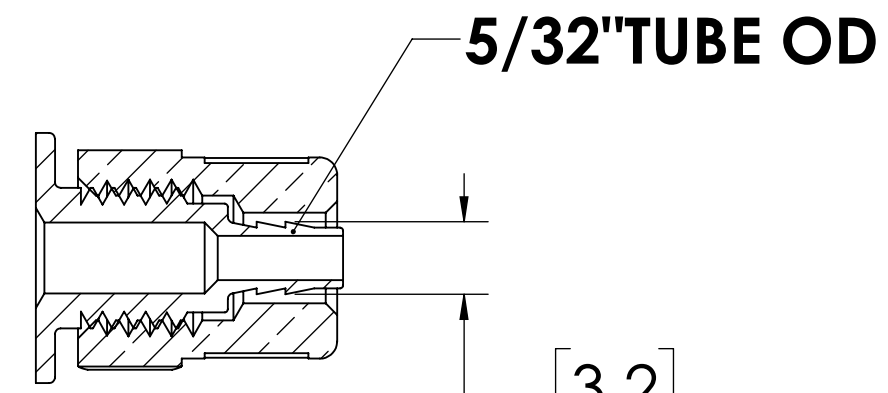


| REVISIONS |      |      |       |                                      |           |          |
|-----------|------|------|-------|--------------------------------------|-----------|----------|
| SHEET     | ZONE | REV. | ECO   | DESCRIPTION                          | DATE      | APPROVED |
| 1         | ALL  | A    | 50242 | PIN, PIN SPRING & 2017 FORMAT UPDATE | 6/28/2018 | HRC      |



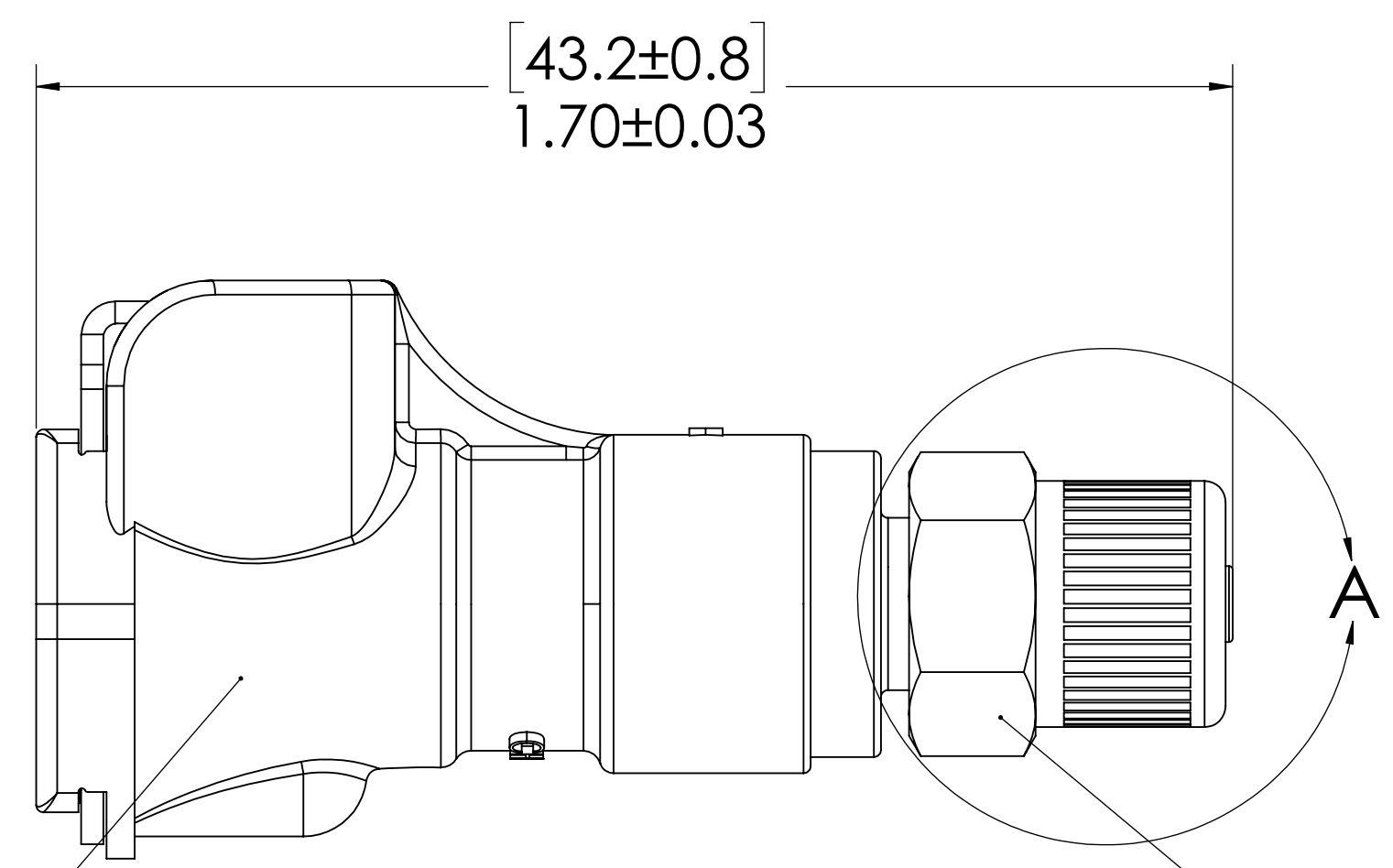
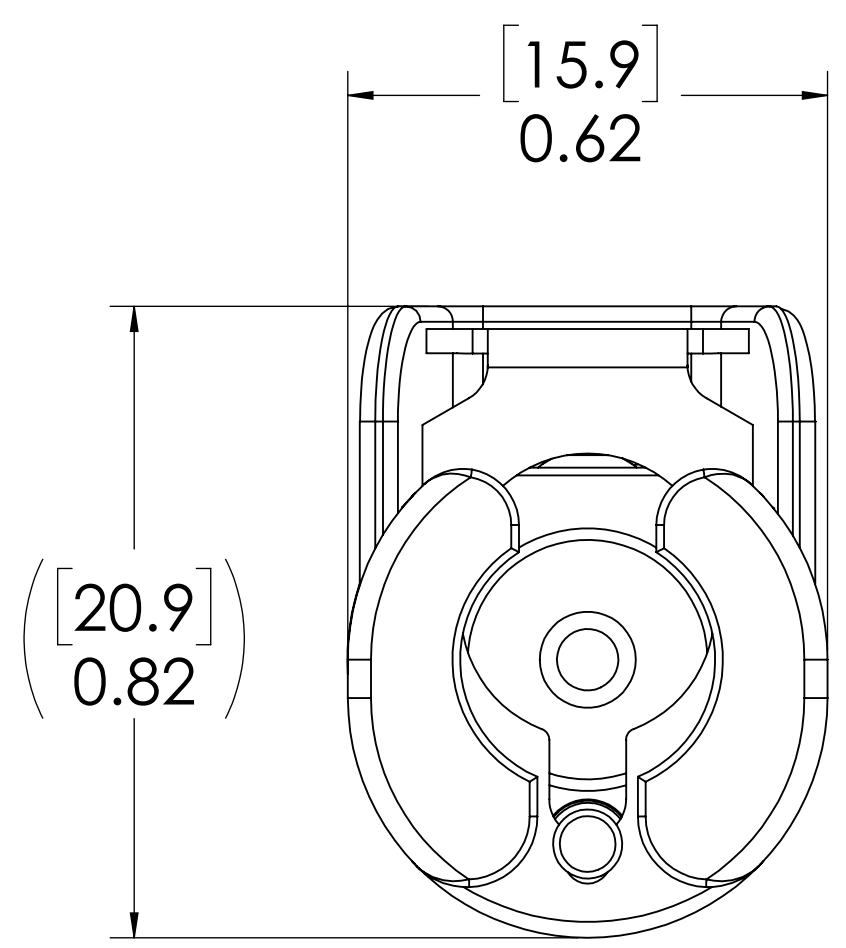
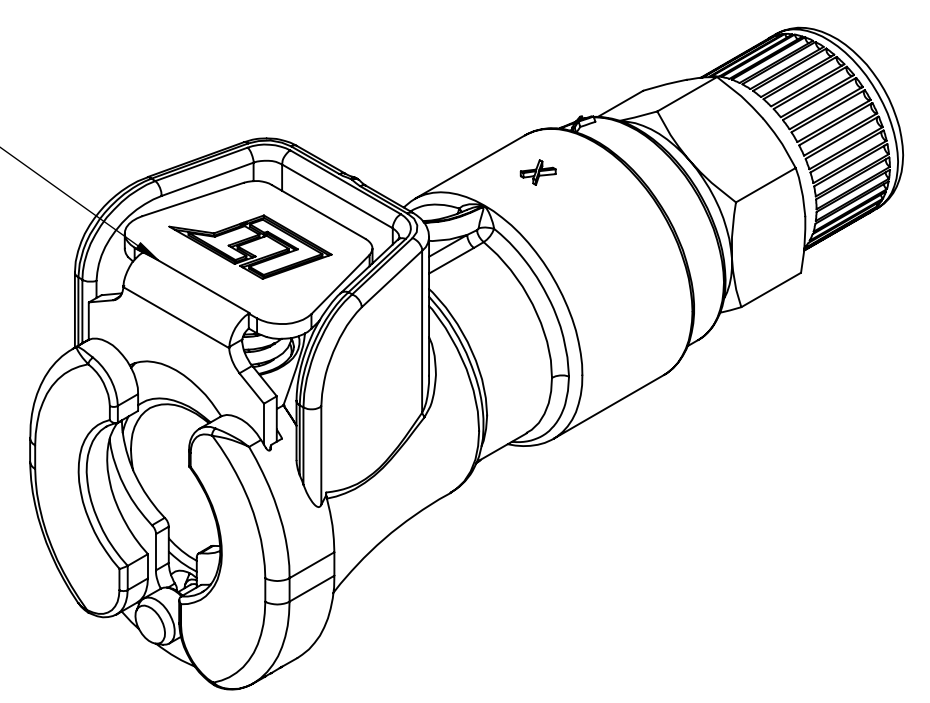
**DETAIL A**



**SECTION B-B**

[3.2]  
0.13

**LATCH HARDWARE  
(STAINLESS STEEL)**




**SOCKET,  
(ACETAL)**

**PTF NUT,  
(BRASS, NICKEL PLATED)  
(PACKAGED SEPERATELY)**

**FOR REFERENCE ONLY**

- NOTES:**
- MATERIAL: ACETAL
  - COLOR: NATURAL WHITE

|   |            |     |              |   |
|---|------------|-----|--------------|---|
| <small>UNLESS OTHERWISE SPECIFIED:<br/>DIMENSIONS ARE IN INCHES<br/>TOLERANCES:<br/>FRACTIONAL ±1/32<br/>ANGULAR: MACH ±0.5 BEND ±2<br/>ONE PLACE DECIMAL ±0.1<br/>TWO PLACE DECIMAL ±0.01<br/>THREE PLACE DECIMAL ±0.005<br/>TWO PLACE DUAL (mm) [±0.12]</small>                   | DRAWN      | CBH | 8/1/2017     | <br><b>PART NO: 20AC-S9-025</b><br>DESCRIPTION:<br>LinkTech 20AC Series Straight Female,<br>Non-valved, 5/32 PTF, Natural Acetal |
|   | CHECKED    | HRC | 7/25/17      |   |
|   | ENG APPR.  | HRC | 6/28/18      |   |
|   | MFG APPR.  | BDB | 6/28/18      |   |
| <small>PROPRIETARY AND CONFIDENTIAL<br/>THE INFORMATION CONTAINED IN THIS<br/>DRAWING IS THE SOLE PROPERTY OF<br/>LINKTECH LLC. ANY REPRODUCTION<br/>OR DISCLOSURE IN PART OR AS A<br/>WHOLE WITHOUT THE WRITTEN<br/>PERMISSION OF LINKTECH LLC IS<br/>STRICTLY PROHIBITED.</small> | PRODUCTION | LS  | 6/28/18      | SIZE DWG. NO. REV<br><b>C 2AC200105 A</b>   |
| SCALE: NTS WEIGHT:  |            |     | SHEET 1 OF 1 |   |